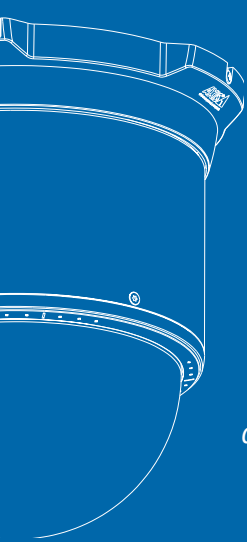


AXIS 233D Network Dome Camera

High-speed dome camera with progressive scan and 35x zoom



AXIS 233D Network Dome Camera provides exceptional features such as progressive scan, 35x optical zoom, and fast and precise pan/tilt mechanics, for superb performance and image quality. AXIS 233D is designed for use in demanding security installations such as airports, casinos, stadiums and ports.

35x ZOOM >

35x optical and 12x digital zoom provides powerful zoom capabilities to enable monitoring of distant objects in sharp detail.

AREA ZOOM >

AXIS 233D, with its unique area zoom feature, enables immediate zoom to any desired part of a scene.

PROGRESSIVE SCAN >

Progressive scan provides full resolution images of moving objects, without distortion.

ELECTRONIC IMAGE STABILIZER >

The Electronic Image Stabilizer (EIS) reduces the effect of vibrations caused by traffic or wind, giving sharper images.

WIDE DYNAMIC RANGE >

With 128x Wide Dynamic Range (WDR), AXIS 233D ensures high-quality video even in complex lighting conditions.

PAN/TILT PERFORMANCE >

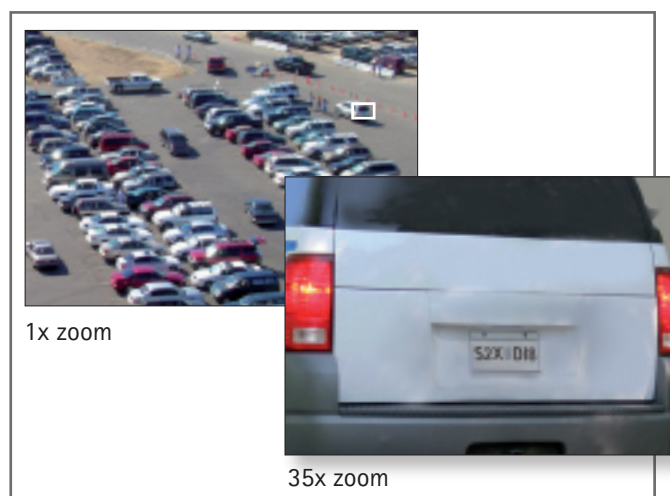
High precision, low speed movement of 0.05°/second makes it possible to follow an object from a long distance. Maximum speed 450°/second allows for extremely fast pan and tilt.

FOR DEMANDING SECURITY INSTALLATIONS

AXIS 233D is a network dome camera for demanding security installations. Its wide range of features including progressive scan, 35x zoom, fast and precise pan/tilt mechanics and wide dynamic range ensure superb performance and superior image quality. AXIS 233D is designed for use in challenging surveillance applications – such as airports, stadiums, casinos and ports – where the ability to follow moving objects from a long distance and see great detail is crucial.

POWERFUL 35X ZOOM

With the powerful 35x optical and 12x digital zoom, AXIS 233D can zoom in on small and distant objects, allowing for example license plates to be clearly identified from a distance of 160 m (525 ft). Whether zoomed out or in full 35x zoom position, images are crisp, clear, and rich in color and detail.



AREA ZOOM

AXIS 233D can simply and quickly pan, tilt and zoom to any desired part of a monitored scene. Mark an area and AXIS 233D will immediately zoom in to show a detailed view of that area.

SUPERIOR IMAGE QUALITY

PROGRESSIVE SCAN

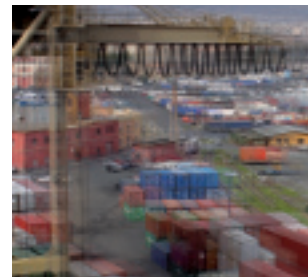
With traditional interlaced scanning NTSC/PAL techniques, every image consists of two frames that are captured after each other and merged together. This results in degraded quality when freezing the image in recorded video. AXIS 233D instead uses progressive scan, capturing the full image at the same moment, which provides non-distorted, superior quality images with drastically reduced motion blur.

ELECTRONIC IMAGE STABILIZER (EIS)

Electronic image stabilizer (EIS) reduces the effect of vibration caused by traffic or wind, giving sharper images. This feature is especially useful when AXIS 233D is installed in places subject to shaking or vibration, such as on a pole or close to a highway with heavy traffic.



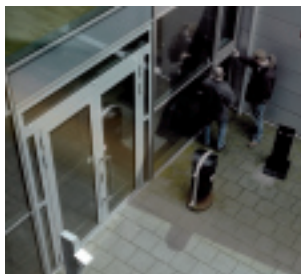
AXIS 233D



Conventional camera

WIDE DYNAMIC RANGE (WDR)

AXIS 233D has 128x wide dynamic range, maintaining contrast to ensure high-quality video and detailed images even in very complex lighting conditions, such as bright sun, sharp backlight or shaded areas.



AXIS 233D



Conventional camera

SIMULTANEOUS MPEG-4 AND MOTION JPEG

AXIS 233D offers simultaneous MPEG-4 and Motion JPEG. Video streams can be optimized for image quality and bandwidth efficiency by configuration of frame rate, resolution, compression level and format – offering up to 30 frames per second in 4CIF resolution in all compressions.

EXCEPTIONAL PAN/TILT PERFORMANCE

With a maximum speed of 450°/second, and high precision low speed movement at 0.05°/second, AXIS 233D can follow a walking person at a distance of 400 m (1300 ft) and pan/tilt to any preset in less than 1.5 seconds. The freeze function holds the image while moving between presets, to make it easier to work with. The E-flip functionality electronically inverts the image 180° when following an object moving under the dome.

TWO-WAY AUDIO SUPPORT

With the ability to connect to external speakers and microphones, AXIS 233D enables remote users not only to view, but also listen in on an area and communicate orders or requests to visitors or intruders.

ADVANCED SECURITY AND NETWORK MANAGEMENT

AXIS 233D is supported by AXIS Camera Management, which offers centralized management of AXIS 233D and other Axis network video devices. It locates and shows connection status, sets IP addresses, configures single or multiple units and manages firmware upgrades and user access rights. AXIS 233D Network Dome Camera offers a comprehensive set of network security features, such as IP address filtering, HTTPS encryption and IEEE 802.1X authentication.

AXIS 233D supports Quality of Service (QoS), which enables reservation of network capacity and prioritization of mission-critical surveillance in a QoS-aware network. Support for IPv6 is included in addition to the standard IP protocol version 4, as insurance against the growing shortage of IPv4 addresses.



POWERFUL VIDEO AND EVENT MANAGEMENT

With Axis network cameras, video can be accessed at any time, from any computer anywhere. AXIS 233D allows for powerful event management with multi-window motion detection, and inputs/outputs for connecting e.g. sensors and external relays for activating lights, locking/unlocking doors, etc. Pre- and post-image alarm buffering secures images just before and after an alarm.

OPEN PROGRAMMING INTERFACE FOR CUSTOMIZED APPLICATIONS

AXIS 233D includes the industry-standard Axis Application Programming Interface, AXIS VAPIX™ API, which facilitates the development of customized software solutions. It also ensures compatibility with the market's widest range of third-party applications, available via Axis Application Development Partners.



ALL INCLUSIVE

AXIS 233D comes complete with power supply and indoor mounting accessories for hard and drop ceiling. No additional equipment is needed. Both smoked and clear transparent covers are provided.

EASY JOYSTICK CONTROL OF AXIS 233D

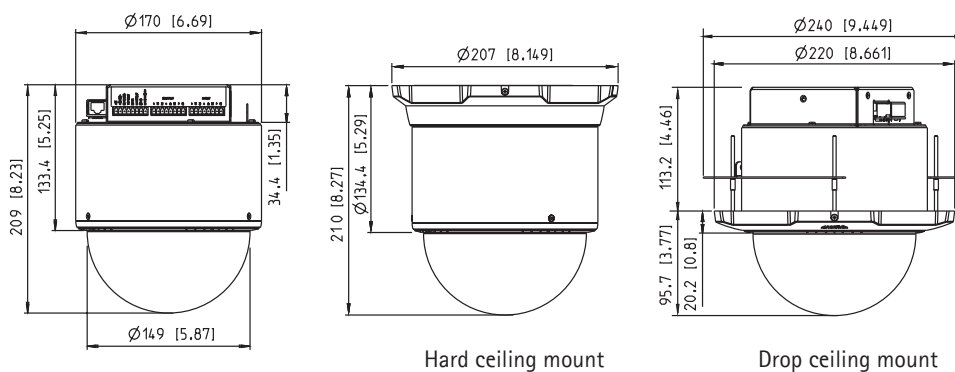


Optional accessory

The highly responsive and extremely precise AXIS 295 Video Surveillance Joystick allows easy tracking of objects of interest and fast, flexible and secure operation of AXIS 233D. The joystick offers 12 programmable push buttons and a USB interface that makes installation easy. With the joystick connected, fast and accurate pan/tilt/zoom control is enabled.

DIMENSIONS

Measurements in mm (inches)



Included accessories:

- Indoor power supply AXIS PS-R 24 V DC
- Drop ceiling and hard ceiling mounts
- Clear and smoked transparent covers
- CD with installation tools including AXIS Camera Management.

Other accessories are available at www.axis.com